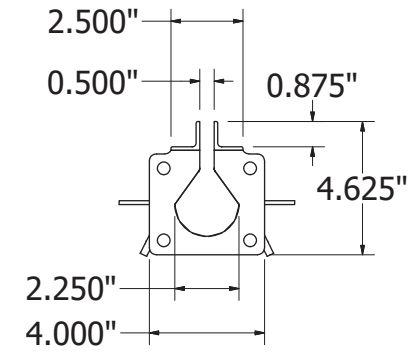
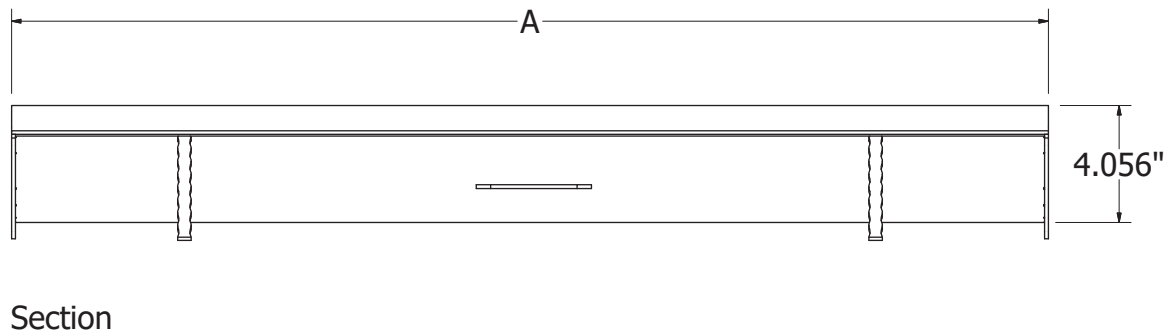
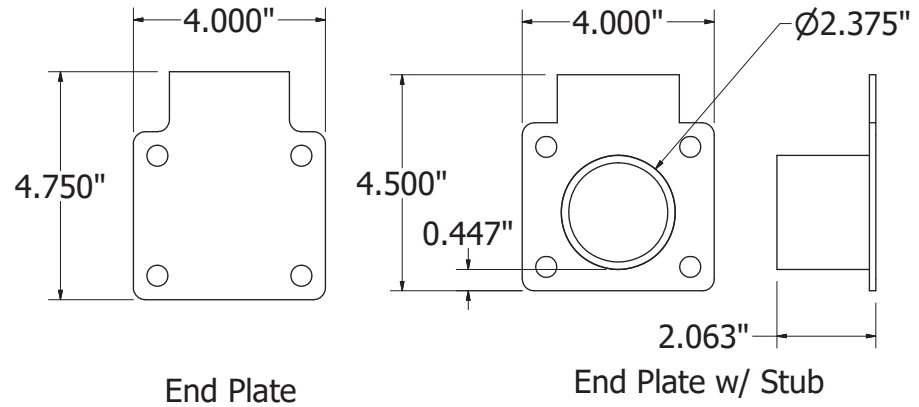




Landscape U-drain[®] Spec Sheet



SECTIONS	A
1' Section	12.000"
3' Section	36.000"
5' Section	60.000"