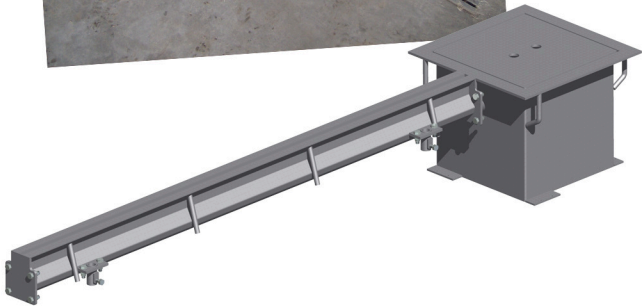


# Residential

# U-drain



- Factory constructed in bolt together 5' lengths
- Maintenance free, no grates to clean or remove
- Open slot concept which blends in nicely with garage floor

**Norstar**  
INDUSTRIES

[www.u-drain.ca](http://www.u-drain.ca)