

# U-drain



*Automotive Dealership*



*Firehall*

*simple, efficient, and cost effective  
floor and surface **drainage system***

# Applications

simple, efficient, and cost effective floor and surface **drainage system**



Municipal Building



Executive Aircraft Hanger



Tractor Trailer Truck Wash



E-Z Mount System



Automotive Dealership

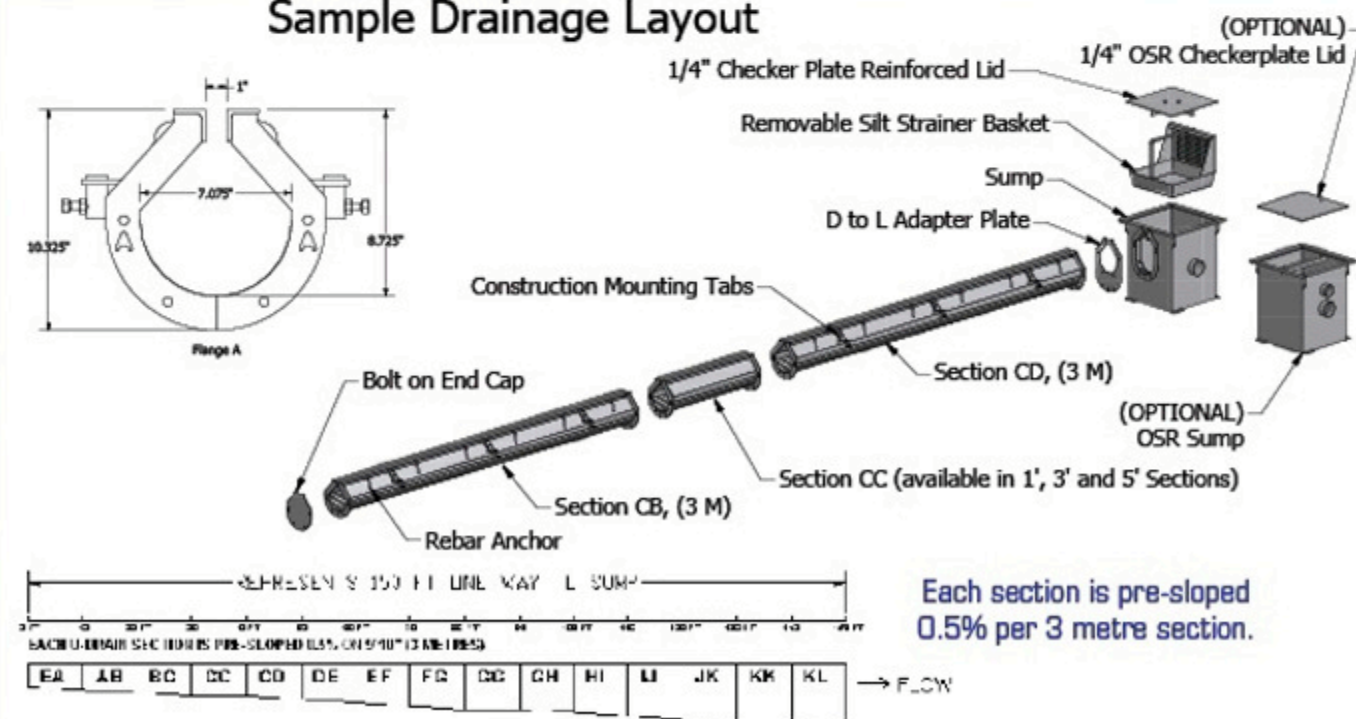


Flush Nozzle

## Features & Benefits

- Factory constructed in bolt-together 9'10" (3 metre) sections.
- Maintenance free, no grates to clean or remove.
- Open slot concept which blends in neatly with surface materials.
- U-drain can be used as centre screed utilizing a two slope pour.
- Built out of 16 gauge galvanized steel, also available in stainless steel.
- Custom drainage solutions available upon request.
- Each section is pre-sloped 0.5% per 3 metre section.
- Galvanized cleaning paddle sent with each order.

### Sample Drainage Layout



# Sump Pits

**Custom sump pit sizing available.  
Oil separator pits available.**

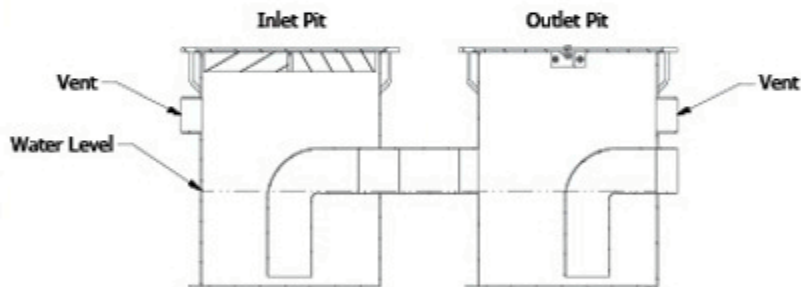


**Silt  
Strainer  
Basket**

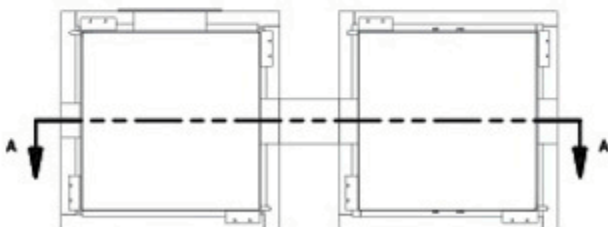


- Available with dual inlet flanges
- 1/4" reinforced checker plate lid
- Mounting tabs to secure prior to placement of concrete
- Standard 6" discharge outlet, adaptable to smaller sizes
- Silt strainer basket included with all standard sump pits
- Rebar weldments for structural integrity and easy installation

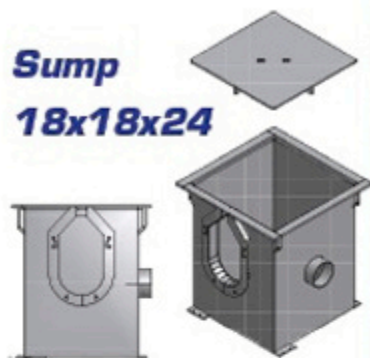
ALL ABS PLUMBING TO BE COMPLETED BY PLUMBER  
BODY CONSTRUCTED WITH 14 GA MATERIAL



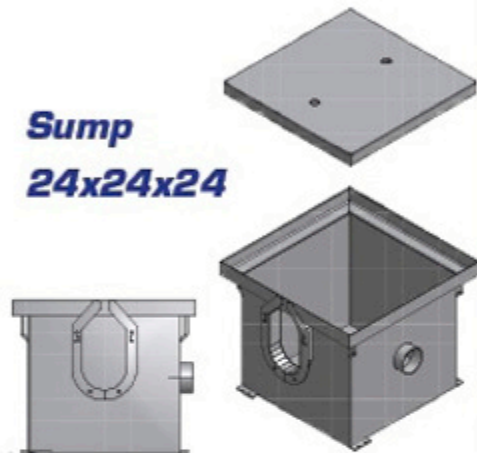
SECTION A-A  
SCALE 0.07 : 1



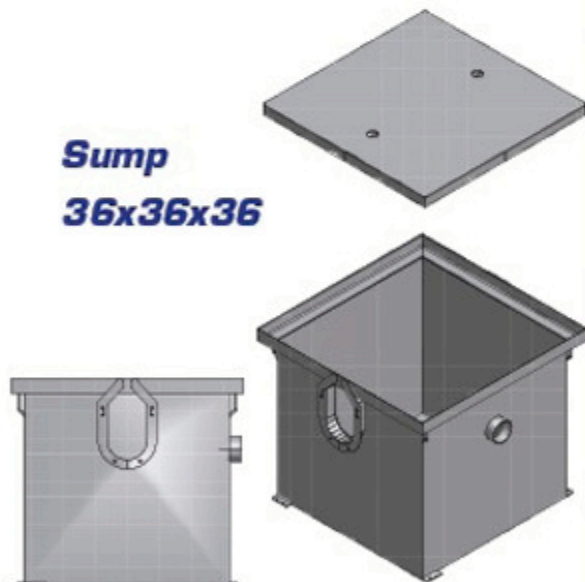
**Sump  
18x18x24**



**Sump  
24x24x24**



**Sump  
36x36x36**



**Norstar**  
INDUSTRIES

Box 119, R.R. 1  
Morris, Manitoba R0G 1K0  
Phone: 204.746.8200  
Fax: 204.746.8074  
Email: info@norstarindustries.ca  
www.norstarindustries.ca

Distributed by:

